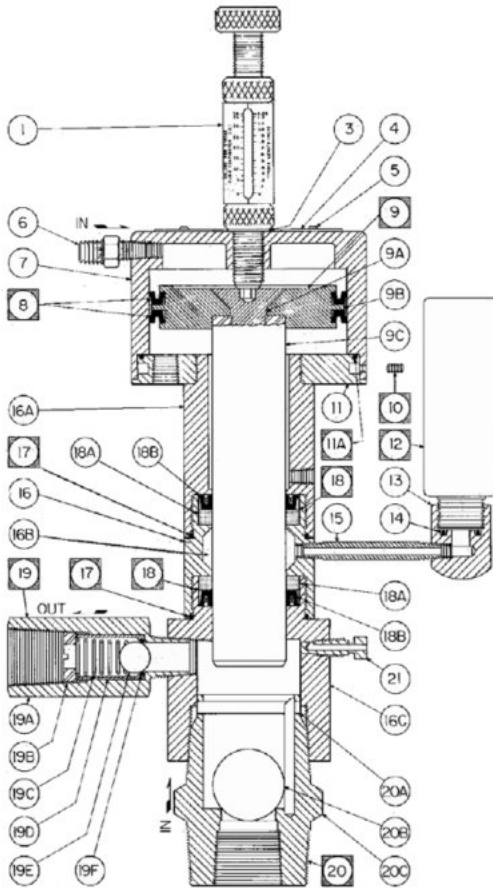




# P1500W SERIES PUMP PARTS LIST



ITEM	DESCRIPTION	NO. REQ'D	P1500W400	P1500W600
1	STROKE ADJUSTER	1	SA1500-400	SA1500-6/8
3	THREAD SEAL (included in stroke adjuster)	1	CP100-400-3	CP2250-3
4	DATA PLATE	1	DP6W	DP6W
5	DATA PLATE DRIVE SCREWS	4	S2316D	S2316D
6	PUMP/CONTROLLER CONNECTOR	1	HN1414304	HN1414304
7	MOTOR CYLINDER	1	MC400-1500-11	MC600-11S
8	PISTON U-CUP/O-RING-BUNA N STD.	2	MC400-02BR	BR-433
9	PISTON PLUNGER ASSEMBLY	1	PA1500-400	PA1500-600
10	MOTOR CYLINDER SET SCREWS/BOLTS	6,10,10	A142038SHSS	MC600-06
11	FACE PLATE	1	MC400-1500-15	MC600-1500-15
11a	FACEPLATE O-RING	1	V-046	V-050
12	4 OZ. SILICONE OIL BOTTLE	1	SF96-100/4	SF96-100/4
13	OILER BODY	1	P1000V48	P1000V48
14	OILER BODY O-RING-VITON	1	V-114	V-114
15	PUMP/OILER CONNECTOR	1	P225-49	P400-49
16	PUMP BODY ASSEMBLY	1	P1500-4-100	P1500-6-100
17	BODY SEAL O-RING-VITON	2	V-138	V-138
18	PLUNGER SEAL SET-TEFLON GRAPHITE	2	TG2430S	TG2430S
18a	BACK-UP RING FOR PLUNGER SEAL	2	TP202336-18	TP202336-18
18b	PLUNGER SEAL-TEFLON GRAPHITE	2	TG24-30	TG24-30
19	DISCHARGE CHECK VALVE	1	CVL12BS	CVL12BS
19a	CHECK VALVE BODY	1	CVL12B-4S	CVL12B-4S
19b	RETAINER	1	CVL12-0S	CVL12-0S
19c	SPRING-INCONEL	1	CV101169	CV101169
19d	SLEEVE	1	CVL12B-5S	CVL12B-5S
19e	11/16" BALL	1	CV12-2S	CV12-2S
19f	O-RING-TEFLON	1	T-113	T-113
20	SUCTION CHECK VALVE	1	CVR32S	CVR32S
20a	RETAINER	1	CVR32-0S	CVR32-0S
20b	1 -1/2" BALL	1	4070014272	4070014272
20c	CHECK VALVE BODY	1	CVR32-4S	CVR32-4S
21	BLEEDER PLUG	1	BV202139	BV202139

**MATERIAL OPTIONS:**

NOTE 1: Seals must be compatible with chemical to be injected. Standard Teflon Graphite (TG) plunger seal is spring-loaded metal. Alternate O-ring plunger seal sets are available in Teflon, Viton, Buna N and Kalrez.

NOTE 2: Standard plunger material is 316 stainless steel.

The injectors model no. P1500W400, P1500W600 and P1500W800 always require the use of the relay model no. P04-4S.

When using a relay it is recommended to use a pressure regulator (PVC) for the "Oscillamatic" controller and another PVC for the "to the Oscillamatic" controller should be set at 35 PSI.

The pressure supply to the relay should be a minimum of 50 PSI to a maximum of 150 PSI, depending on the required discharge pressure. TO BE CONSIDERED ONLY ON PUMPS INCLUDING AN 8 INCH PISTON: It is recommended to install a volume chamber or a 1/2 inch in size, between the PCV and the relay. This allows the necessary volume to the relay during maximum operating conditions.

**LUBRICATION:** All pumps are supplied with SF96-100 plunger seal lubricant (See bulletin no. 387-2). Use G321M1 U-cup silicone grease when rebuilding the pump. This is contained in a complete pump repair kit.

**REPAIR KITS:** The items identified with the symbol are contained in a complete pump repair kit (See bulletin no. RK-P1500W). Controller and relay repair kits must be ordered separately.

**IMPORTANT:** Plunger seals (TG only) must be installed at an angle (See bulletin no 987-1).

# Dosing pump series - GB



- Maximum Flow rate: 1175 l/h • Maximum Pressure: 10 kg/cm<sup>2</sup>g • Mechanically actuated diaphragm
- Variable eccentric drive mechanism



## Technical characteristics

### Standard:

- Flow rate up to: 1175 l/h
- Pressure up to: 10 kg/cm<sup>2</sup>g
- High-efficiency, PTFE diaphragm
- Mechanically actuated diaphragm
- Stroke adjustment by variable eccentric minimizing pulsation and shock
- Simplex version
- Maximum temperature of pumped liquid: 50 °C
- Adjustment of flow rate while running: from 0 to 100%
- Accuracy: ± 1% of rated flow from 10% to 100% stroke
- Suction lift: up to 2.5 m water
- Turn down ratio 10:1
- Lubrication by oil bath
- Glass / Teflon Balls shall be offered based on the process fluid.

### Options:

- Variable speed drive, Electronic capacity control/Automatic capacity control



## Characteristics of motors

### Standard Motor Data:

- Power Supply: 415V – 50 Hz – 3 phase, IE2
- Degree of protection: IP 55
- Insulation: class F
- Motor Speed: 1440 rpm
- Enclosure: TEFC

### Options:

- Flame/Explosion proof motors

## Accessories

To meet your installation needs a large range of accessories are available on request (Pulsation dampeners, safety and back pressure valves), consult us.

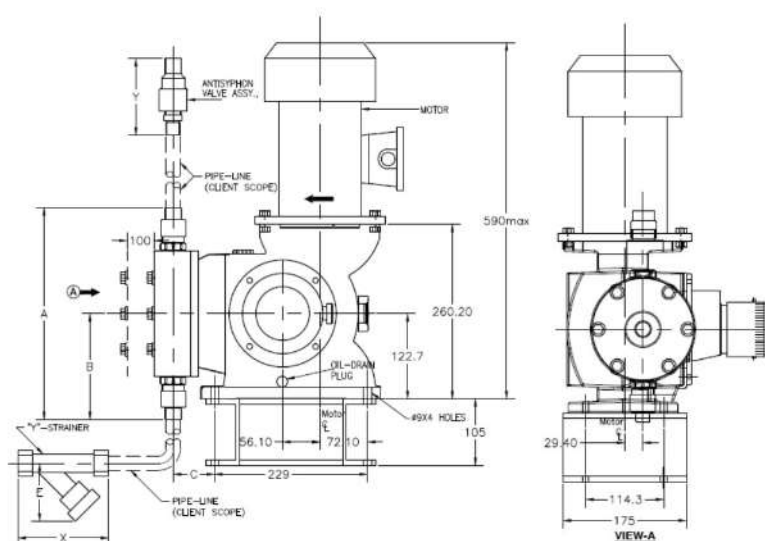
## Liquid end construction

Components	Materials			
Liquid end body	PP	PVC	CF8M	PVDF
Valve body	PVC	PVC	SS-316	PVDF
Seats	PVC	PVC	SS-316	PVDF
Balls	PVC	PVC	SS-316	PVDF
Connections	PVC	PVC	SS-316	PVDF
Diaphragm	Gylon	Gylon	Gylon	Gylon
PRV	PVC	PVC	SS-316	PVDF
Y-Strainer	PP	-	SS-316	-
Online Strainer	-	PVC	-	PVDF
Antisiphon valve	PVC	PVC	SS-316	PVDF

## Performances

Pump model	Flow max. (l/h)	Pressure max. (kg/cm <sup>2</sup> g)		Stroke length (mm)	Stroke speed (spm)	Motor speed (rpm)	Motor power (kW)	End Connections (Suction & Discharge)	
		0.37 kW	0.75 kW					Plastic Head	Metallic Head
GB401	75	8	10	12	36	1440	0.37/0.75	½" BSP (F)	½" BSP (F)
GB402A	120	8	10	12	48	960	0.37/0.75	½" BSP (F)	½" BSP (F)
GB402	160	8	10	12	72	1440	0.37/0.75	½" BSP (F)	½" BSP (F)
GB403A	220	8	10	12	96	960	0.37/0.75	½" BSP (F)	½" BSP (F)
GB403	320	5	10	12	144	1440	0.37/0.75	½" BSP (F)	½" BSP (F)
GB404	400	5	10	12	180	1440	0.37/0.75	½" BSP (F)	½" BSP (F)
GB603	450	3	7	12	144	1440	0.37/0.75	1 ½" BSP (M)	1" BSP (M)
GB604	560	3	7	12	180	1440	0.37/0.75	1 ½" BSP (M)	1" BSP (M)
GB803	940	-	3.5	12	144	1440	0.75	1 ½" BSP (M)	1" BSP (M)
GB804A	760	-	3.5	12	120	960	0.75	1 ½" BSP (M)	1" BSP (M)
GB804	1175	-	3.5	12	180	1440	0.75	1 ½" BSP (M)	1" BSP (M)

## Dimensions and Connections



Pump model	Dimensions (mm)			
	A±5.0	B±3.0	C±2.0	D±3.0
GB40 (SS)	285	142.5	60	341
GB40 (PP)	275	137.5	62	341
GB60 (SS)	372	186	76	356
GB60 (PP)	312	156	71	356
GB80 (SS)	414	207	98	387
GB80 (PP)	388	194	98	387

## Weight

Liquid End	Weight (kg)
Metallic	67
Plastic	47

\*Any changes in this catalogue applicable without prior Information



# TRANSFORMIUM ENGINEERS!

[www.transformium.in](http://www.transformium.in)

[info@transformium.in](mailto:info@transformium.in)



M.E.S.C: **3445513823**

DESC: DIAPHRAGM



M.E.S.C: **3445622313**

DESC: CONTROL SPOOL ASSY., AISI 1038



S.C:

**3445625563**



M.E.S.C: **3416460043**

CONNECTING ROD ASSY



M.E.S.C: **3416497983**







C:

**3416497973**

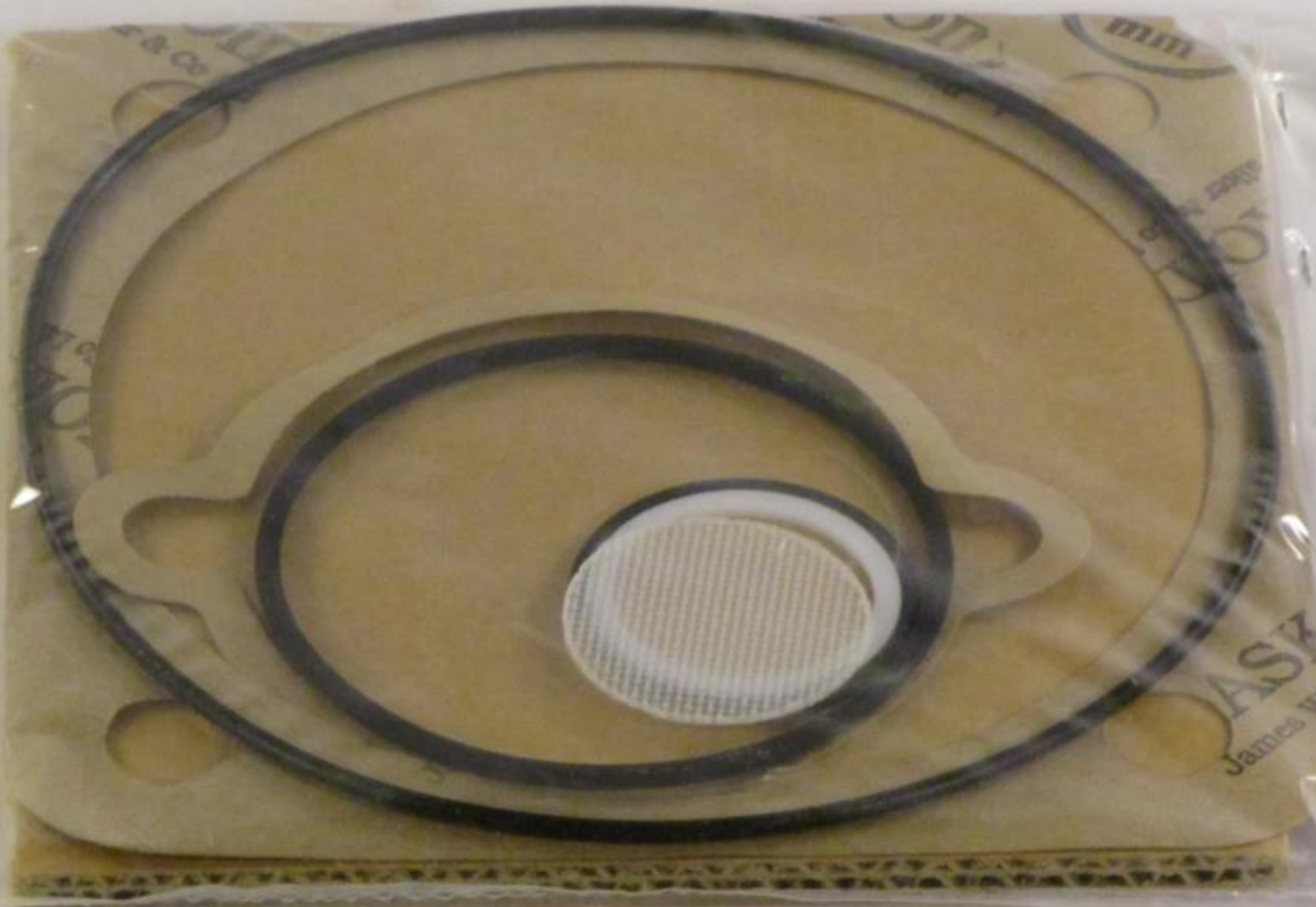
C:

**KIT CHECK VALVE**

3050879500

هر لیسبه = ۱۷۵۵

ate: NO



M.E.S.C: **3445486813**

DESC: GASKET KIT CHAM

P/N: 305 0926 030

Unit/locate: NO

١٨٩٨ = حريسة

Tag&pv/no: -B- 1787A4028 I.50 12-P-304AB



M.E.S.C: **3445512853**

DESC: CHECK VALVE ASSY.

P/N: 305 0583 102

Unit/locate: NO

*Handwritten Arabic text: رقم الوحدة = 1209*

Rev/no: ~B~ 1787A4028 I.60 11-P-026



M.E.S.C: 3445513563

DESC: RELIEF VALVE 27 TO 60 B.

P/N: 306 0023 231

Unit/locate: NO

١٧٥ = كورسية

Tpc&pv/no: -B- 1787A4028 L82 \*12-P-305

